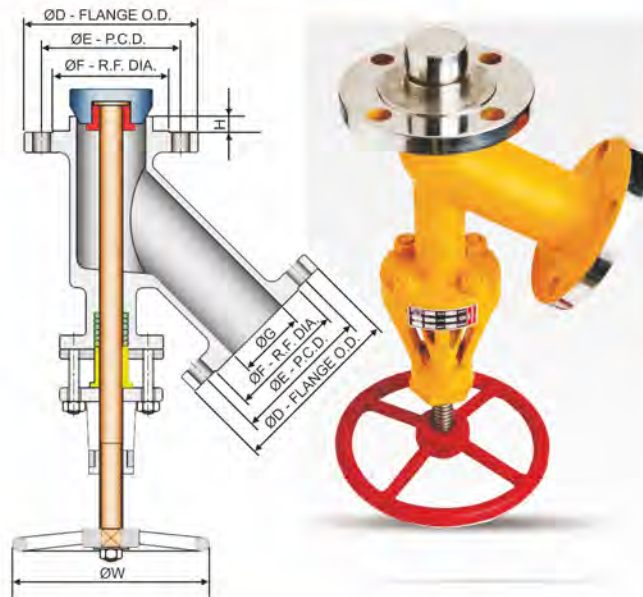


FLUSH BOTTOM VALVE

Flanged End, Rating-150#

JD Flush bottom valves (Tank valves) are designed to provide drainage and dead space free shutoff for reactors, vessels and storage tanks. The dead space free shutoff is accomplished by placing the valve seat flush with the bottom of the vessel. This eliminates any buildup of product within the vessel nozzle itself.

Flush Bottom Tank Valve (Y Type)



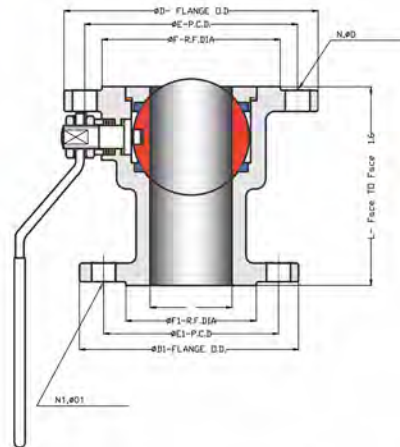
Feature:

- ~ Stronger Heavy Duty Construction
- ~ Flexible design Capabilities allow fitting any vessel nozzle configuration
- ~ Deep stuffing box is providing to assure tightness and maximum packing life
- ~ Precision Stem Packing Chamber
- ~ Self Aligning Two Piece Gland
- ~ Ground Finish Stem
- ~ Steam or Cooling Jacketed Valve

Dimensions (Class 150)

| Size | Inch | 1"x1" | 1½"x1½" | 2"x2" | 2½"x2½" | 3"x3" | 4"x4" | 6"x6" |
|-------|-------|-------|---------|-------|---------|---------|---------|-------|
| DN | 25x25 | 40x40 | 50x50 | 65x65 | 80x80 | 100x100 | 150x150 | |
| ØD | 108 | 127 | 152.4 | 177.8 | 190.5 | 228.6 | 279 | |
| ØE | 79.3 | 98.4 | 120.6 | 139.7 | 152.4 | 190.5 | 241.3 | |
| ØF | 50.8 | 73 | 92.1 | 104.7 | 127 | 157.2 | 215.9 | |
| ØG-NB | 25 | 38 | 50 | 63 | 75 | 100 | 150 | |
| N | 4 | 4 | 4 | 4 | 4 | 8 | 8 | |
| ØO | 15.8 | 15.8 | 19 | 19 | 19 | 19 | 22.2 | |
| ØW | 150 | 200 | 240 | 240 | 250 | 490 | 490 | |
| H | 10 | 10 | 10 | 10 | 10 | 10 | 10 | |

Flush Bottom Ball Valve



Test Pressure (Kg./Cm2)

| Test | Hydraulic | Air |
|-------|-----------|-----|
| Class | 150# | |
| Body | 30 | |
| Seat | 21 | 5.6 |

Dimensions (Class 150)

| Size | 40x25 | 50x40 | 65x50 | 80x65 | 100x80 | 150x100 | 200x150 |
|---------|-------|-------|-------|-------|--------|---------|---------|
| L-F TOF | 107 | 118 | 127 | 140 | 165 | 203 | 292.6 |
| ØD | 127 | 152.4 | 177.8 | 190.5 | 228.6 | 279 | 342.9 |
| ØE | 98.4 | 120.6 | 139.7 | 152.4 | 190.5 | 241.3 | 298.45 |
| ØF | 73 | 92.1 | 104.7 | 127 | 157.2 | 215.9 | 269.75 |
| N | 4 | 4 | 4 | 4 | 8 | 8 | 8 |
| ØO | 15.8 | 19 | 19 | 19 | 19 | 22.5 | 22.5 |
| ØG-NB | 25 | 38 | 50 | 63 | 75 | 100 | 150 |
| ØD1 | 108 | 127 | 152.4 | 177.8 | 190.5 | 228.6 | 279 |
| ØE1 | 79.3 | 58.4 | 120.6 | 139.7 | 152.4 | 190.5 | 241.3 |
| ØF1 | 50.8 | 73 | 92.1 | 104.7 | 127 | 157.2 | 215.9 |
| N1 | 4 | 4 | 4 | 4 | 4 | 8 | 8 |
| ØO1 | 15.8 | 15.8 | 19 | 19 | 19 | 19 | 22.5 |