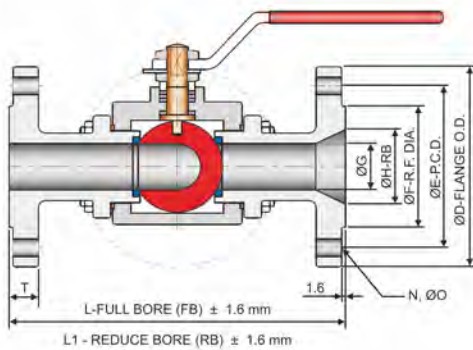
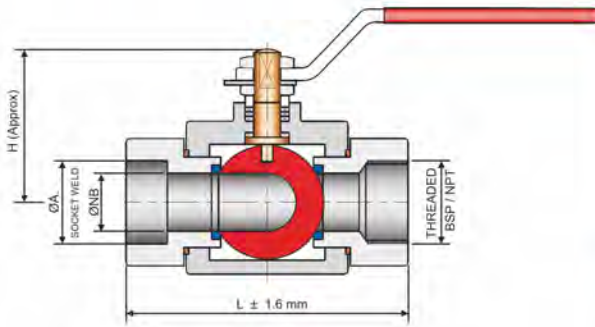


Regular Series

Automation Series



J D Multiport Ball Valves are ideal choices for many piping designs involving diverting or mixing. In certain applications a single valve can replace two, three, or four 2-way valves, reducing cost and saving space indirectly reducing stress on pipe line.

J D Controls offers a tremendous value in multi-port three and four way valves. Our Multiport Ball Valve selection covers Full Port & Regular (Reduce) Port, Flanged, Screwed, Socket Weld and Butt Weld (Welded Neck) End with Manual Hand Lever, Gear or Pneumatic Actuated in size range from 1/2" to 12" & Pressure Rating up to class 600.

Series MP-81, Class 150, Screwed/Socket Weld End

Size	Inch	1/2"	3/4"	1"	1 1/4"	1 1/2"	2"
	DN	15	20	25	32	40	50
L-F to F		80	90	108	121	143	169
ØA		21.7	27.1	33.8	42.7	48.6	61.1
ØNB		12.5	19	25	32	38	50
H		51	62	73	80	85	96

Series MP-82, Class 300, Screwed/Socket Weld End

*Contact Factory for Class 300 Dimensions

Series MP-83, Class 150, Flanged End

Size	Inch	1/2"	3/4"	1"	1 1/2"	2"	2 1/2"	3"	4"	6"
	DN	15	20	25	40	50	65	80	100	150
L-Full Bore		124	142	165	215	245	295	325	380	450
L1-Reduce Bore		-	-	142	165	215	245	295	325	380
ØG-Full Bore		12.5	19	25	38	50	63	75	100	150
ØG-Reduce Bore		-	-	19	25	38	50	63	75	100
ØH-Reduce Bore		-	-	25	38	50	63	75	100	150
ØD		89	98.5	108	127	152.4	177.8	190.5	228.6	279
ØE		60.3	69.8	79.3	98.4	120.6	139.7	152.4	190.5	241.3
ØF		35	43	50.8	73	92.1	104.7	127	157.2	215.9
N		4	4	4	4	4	4	4	8	8
ØO		15.8	15.8	15.8	15.8	19	19	19	19	22.2
T		10.2	10.5	11.2	14.5	15.8	17.5	19	23.8	25.4

Series MP-84, Class 300, Flanged End

*Contact Factory for Class 300 & Higher Size Dimensions

3 Three Way Ball Valve (Four Seated) L / T Port Reduce/Full Bore, Flanged End

Three Way Ball Valve is available in "L" Port / "T" Port to meet the service condition. The Three Way "L" Port Ball Valve also called as a Mixing and Diverting Valve.

J D Multiport 3 Way Ball valves utilize four seats to support the ball, and to provide positive shutoff at any closed port. Multiple Gland Packing Seal & Spring Washer gives zero leakage from gland portion.

Different Position of "L" Port



Different Position of "T" Port

